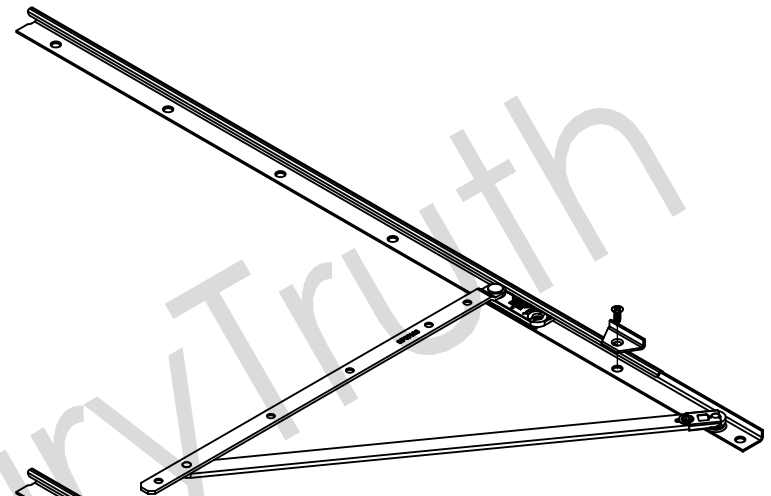
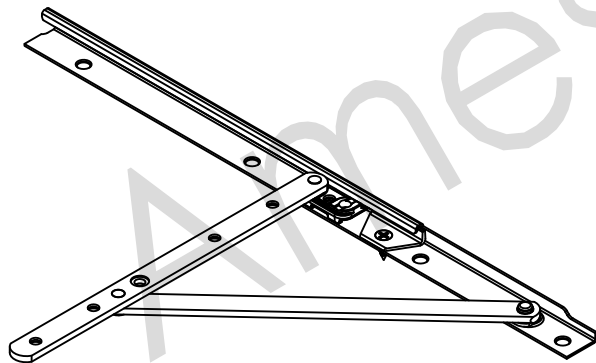
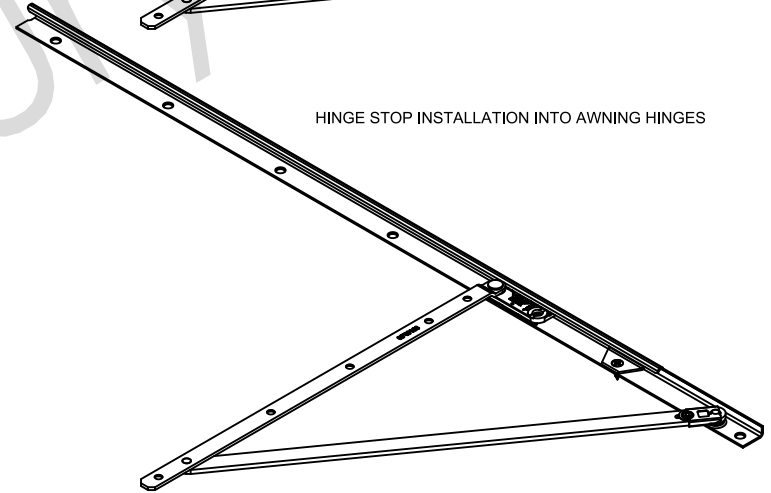


HINGE STOP INSTALLATION INTO CASEMENT HINGES



HINGE STOP INSTALLATION INTO AWNING HINGES



DRAWING TITLE: CUSTOMER PAGE		DRAWING NO: 20398RRR	
DATE: 11/11/2019	DESIGNED BY: J. B. BROWN	THIRD ANGLE PROJECTION	SCALE: 1/1
REVISED BY: J. B. BROWN	DATE: 11/11/2019	PROJECT: 20398RRR	SHEET 1 OF 1
UNIT: INCH	WEIGHT: LBS	Amesbury Truth Engineered Solutions. Trusted Results. <small>ONE AMESBURY TRUTH DRIVE, SUITE 100, AMESBURY, MA 01055 TEL: 978.253.1234 FAX: 978.253.1235 WWW.AMESBURYTRUTH.COM</small>	